

DEPTH	A	B	C	D	E	
					HEAD & JAMBS	HEAD & JAMBS
434	4-3/4"	3-3/4"	1-1/4"	1/2"	2"	1"
534	5-3/4"	4-7/8"	2-1/4"	7/16"	2"	1"
634	6-3/4"	5-3/4"	3-1/4"	1/2"	2"	1"
734	7-3/4"	6-3/4"	4-1/4"	1/2"	2"	1"
834	8-3/4"	7-3/4"	5-1/4"	1/2"	2"	1"

MASONRY FRAMES, DOUBLE RABBET FRAMES (WITH UNEQUAL RABBETS) ARE ALSO AVAILABLE IN A RANGE OF DEPTHS FROM: 4-5/8" THRU 14" IN 1/8" INCREMENTS. 4" FACE HEADS WITH 2" FACE JAMBS ARE ALSO AVAILABLE IN SELECTED SIZES.

**INSIDE**



**OUTSIDE**

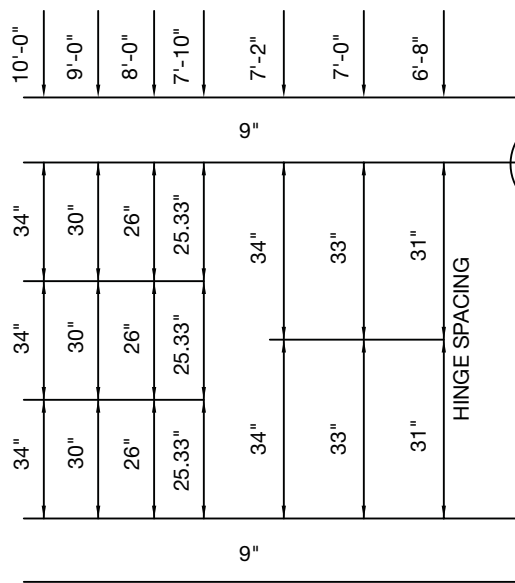
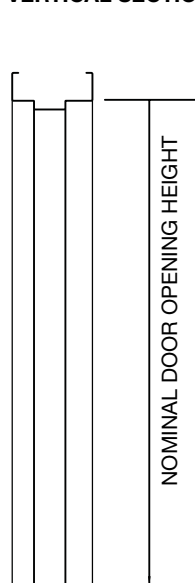
"KS" = KEY SIDE

(CONVERSION: 1" = 25.4 MM, E.G., 1-3/4" = 44.45 MM)

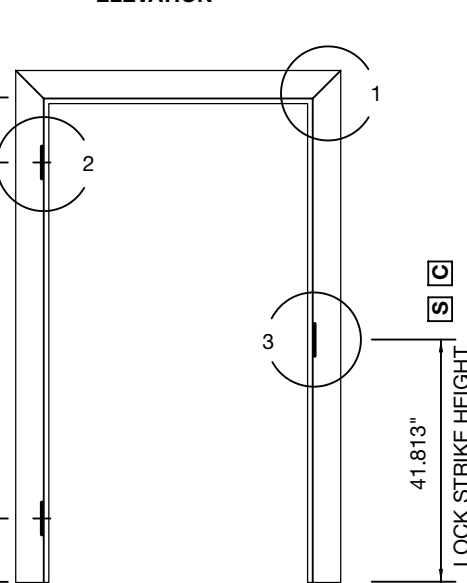
# MASONRY FRAMES

HARDWARE LOCATIONS SHOWN MATCH STEELCRAFT STANDARD DOORS.

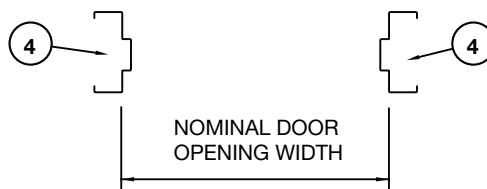
**VERTICAL SECTION**



**ELEVATION**



**NOMINAL DOOR OPENING WIDTH**



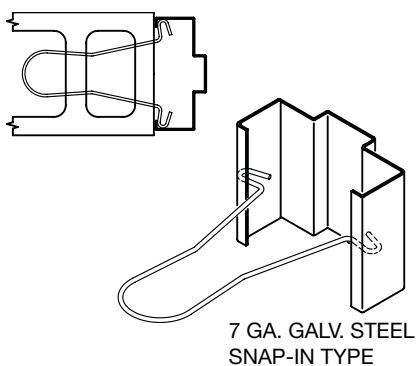
**HORIZONTAL SECTION**

**JAMB ANCHOR QUANTITIES**

- 2 PER JAMB FOR HEIGHTS 3'6" THRU 5'0" AND ONE FLOOR ANCHOR
- 3 PER JAMB FOR HEIGHTS >5'0" THRU 7'2" AND ONE FLOOR ANCHOR
- 4 PER JAMB FOR HEIGHTS >7'2" THRU 7'6" AND ONE FLOOR ANCHOR
- 5 PER JAMB FOR HEIGHTS >7'6" THRU 10'0" AND ONE FLOOR ANCHOR

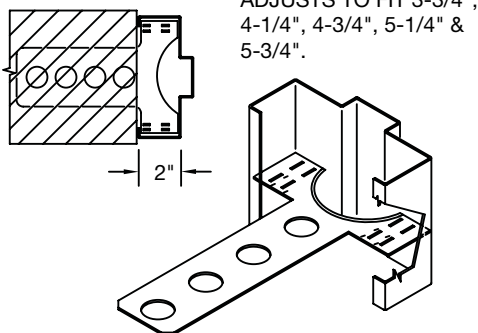
ONE ADDITIONAL JAMB ANCHOR FOR EACH ADDITIONAL TWO FEET IN HEIGHT OR FRACTION THEREOF  
ONE ADDITIONAL JAMB ANCHOR IN LIEU OF FLOOR ANCHOR FOR EXISTING STUDS AND/OR WALL CONDITIONS.

**4 WIRE MASONRY ANCHOR WMA**



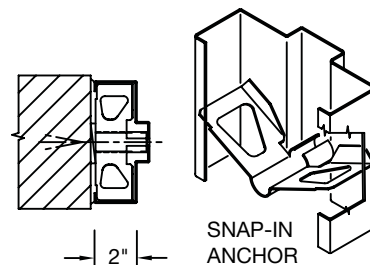
(FOR 3" THRU 8-3/4." DEPTHS)

**4 MASONRY "T" ANCHOR (ADJUSTABLE) MT**



ALTERNATE MT ANCHOR DESIGN IS AVAILABLE FOR SPECIAL DEPTH & FACE FRAMES. SEE SECTION F13 FOR DETAILS.

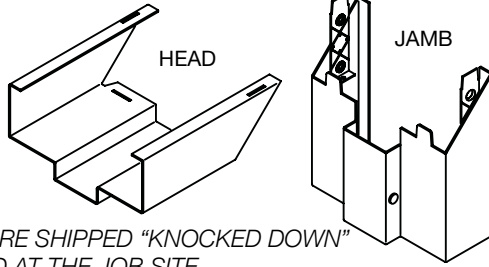
**4 EXISTING OPENING ANCHOR EO**



SU EO/S6: 4-3/4" THRU 6-3/4" DEPTH  
PROFILE EO/S8: 6-7/8" THRU 8-3/4" DEPTH

# MASONRY FRAMES

## 1 KNOCKED DOWN (KD) CORNER CONSTRUCTION



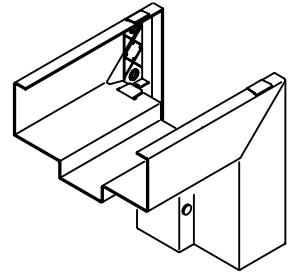
COMPONENTS ARE SHIPPED "KNOCKED DOWN" AND ASSEMBLED AT THE JOB SITE

## 1 WELDED CORNERS

DIE-CUT CORNER WITH CORNER TAB AND FACE WELD SHOWN.

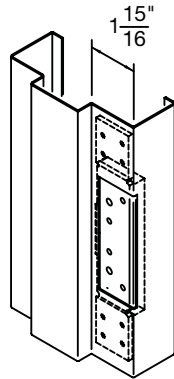
ALSO AVAILABLE WITHOUT TAB AND WELDED OR MITRE SAWED AND WELDED.

ALTERNATIVE WELD OPTIONS ARE ALSO AVAILABLE.



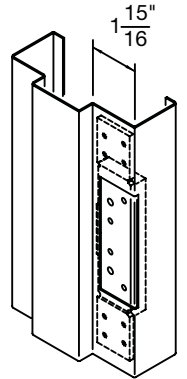
## 2 HINGE PREPARATION

4-1/2" X .134" OR  
4-1/2" X .180"  
ANSI A156.7 TEMPLATE  
7 GAUGE STEEL REINFORCING



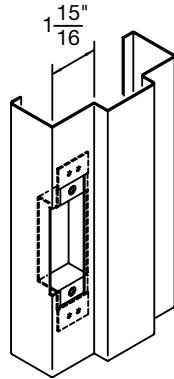
## 2 HINGE PREPARATION

5" X .146" OR  
5" X .190"  
ANSI A156.7 TEMPLATE  
7 GAUGE STEEL REINFORCING



## 3 LOCK STRIKE PREPARATION

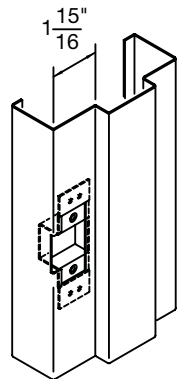
**S**  
UNIVERSAL (4-7/8")  
ANSI A115.1 & 2 TEMPLATE  
16 GAUGE STEEL REINFORCING  
WITH EXTRUDED SCREW HOLES  
PROVIDES EQUIVALENT THREAD  
ENGAGEMENT EQUAL TO 14 GAUGE.  
STANDARD FOR 1-3/4" DOORS



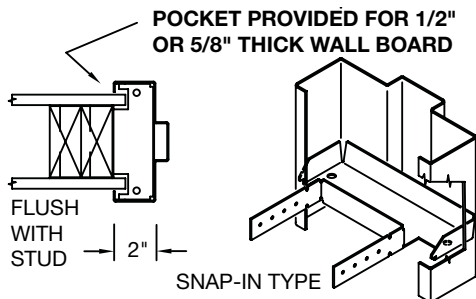
## 3 LOCK STRIKE PREPARATION

**C**  
CYLINDRICAL (2-3/4")  
ANSI A115.3 TEMPLATE  
16 GAUGE STEEL REINFORCING  
WITH EXTRUDED SCREW HOLES  
PROVIDES EQUIVALENT THREAD  
ENGAGEMENT EQUAL TO 14 GAUGE.  
OPTIONAL FOR 1-3/4" DOORS

ALSO AVAILABLE WITHOUT LIP NOTCH FOR DEADBOLTS.

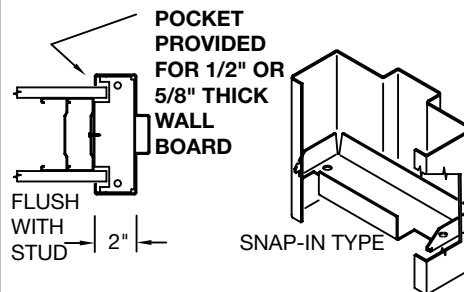


## 4 WOOD STUD ANCHOR WS



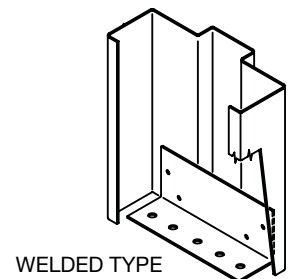
(USED ALSO FOR METAL STUD WALLS)

## 4 METAL STUD ANCHOR MS



4-3/4" AND 5-3/4" DEPTH ONLY  
FOR OTHER DEPTHS USE WS TYPE.

## 4 FIXED FLOOR ANCHOR SA



ONE PIECE

# MASONRY FRAMES

**STANDARD SIZES  
NOMINAL DOOR OPENING**

WIDTH		HEIGHT
SINGLE	DOUBLE	
2'-0"	4'-0"	
2'-4"	4'-8"	
2'-6"	5'-0"	6'-8"
2'-8"	5'-4"	7'-0"
2'-10"	5'-8"	7'-2"
3'-0"	6'-0"	7'-10"
3'-4"	6'-8"	8'-0"
3'-6"	7'-0"	9'-0"
3'-8"	7'-4"	10'-0"
3'-10"	7'-8"	
4'-0"	8'-0"	
5'-0"	10'-0"	

**FIRE DOORS**

<p><b>LABELING AGENCIES :</b> UL SOLUTIONS WARNOCK HERSEY FACTORY MUTUAL</p>
<p><b>TEST:</b> UL10B, UL10C, UL1784 &amp; NFPA 252</p>
<p><b>RATING:</b> 20 MIN, 3/4 HR, 1 HR, 1-1/2 HR, OR 3 HR</p>
<p><b>MAX. SIZE:</b> 4'0" X 10'0" SINGLE 8'0" X 10'0" PAIR</p>
<p><i>NOT ALL RATINGS ARE AVAILABLE IN ALL SIZES, DESIGNS AND MATERIALS. HOURLY CLASSIFICATIONS ARE NOT SHOWN ON LABEL UNLESS CLASS IS LESS THAN 3 HOURS.</i></p>

**PRODUCT SPECIFICATIONS:**

Masonry Frame for 1-3/4" doors are formed from commercial quality cold rolled steel conforming to ASTM A1008 ...or (optional) hot-dipped galvanized or galvanized steel conforming to ASTM A924 and A653 - see chart below.

Frames are knocked down (K.D.) field assembled type or welded unit type. Head and jamb members of K.D. frames have diecut mitered corners that interlock rigidly when field assembled. Integral door stops are 5/8" high. Jambs are sized to suit wall applications. Twist-in anchors are available for new masonry, wood stud, metal stud, or existing opening wall conditions (indicate which). Floor anchors or extra jamb anchors are provided to anchor sill. Welded-in jamb anchors are also available.

**Hardware Provisions:** Frames are handed. Hinge jambs are mortised for 4-1/2" or 5" high, standard and heavy weight hinges (specify which). 7 gauge steel reinforcements are welded in place and are drilled and tapped for fasteners in accordance with ANSI A156.7. The strike jamb is prepared for 4-7/8" universal or 2-3/4" cylindrical strike in accordance with ANSI A115.1 & 2 (specify which). Plaster guards are provided. Optional closer reinforcement is a 14 gauge steel formed steel sleeve (12 gauge upon request). 3 mute holes are provided per strike jamb and 2 for double swing heads.

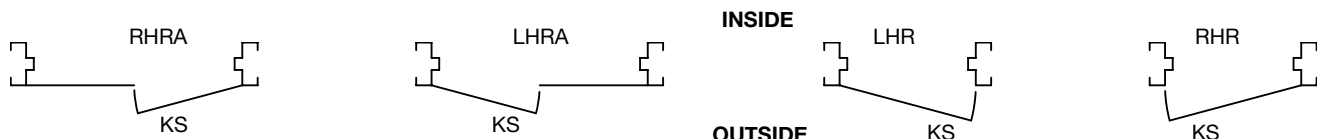
**Paint:** FORTIS DOORS frames are provided with one coat of oven-cured neutral color primer paint. Primer coat shall conform with ANSI A250.10. The primer coat is a preparatory base for necessary finish painting. "Colorstyle" finish coat is also available on K.D. frames from a selection of standard colors (optional). Colorstyle finish is electrostatically applied, oven-cured urethane enamel, and shall conform to ANSI A250.3.

**MATERIAL**

DOOR FRAME MATERIAL	LEVEL	C.R.	GALV	
			A60	G90
16 GAUGE STEEL	HEAVY OR EXTRA HEAVY DUTY	STD	OPT	OPT
14 GAUGE STEEL	MAXIMUM DUTY	STD	OPT	OPT

**PERFORMANCE**

<b>PHYSICAL ENDURANCE LEVEL:</b>	MEETS ANSI A250.4 PERFORMANCE TEST -- 16 & 14 GAUGE STEEL: LEVEL A (1,000,000 CYCLES)
----------------------------------	---



"KS" = KEY SIDE "SUFFIX" A" = ACTIVE LEAF OF PAIRS

(CONVERSION: 1" = 25.4 MM, E.G., 1-3/4" = 44.45 MM)